



301 – 30th Street NE, Suite 118, Auburn, WA 98002
PO Box 309, Auburn, WA 98071-0309
Phone (253) 735-7368 Fax (253) 735-1416

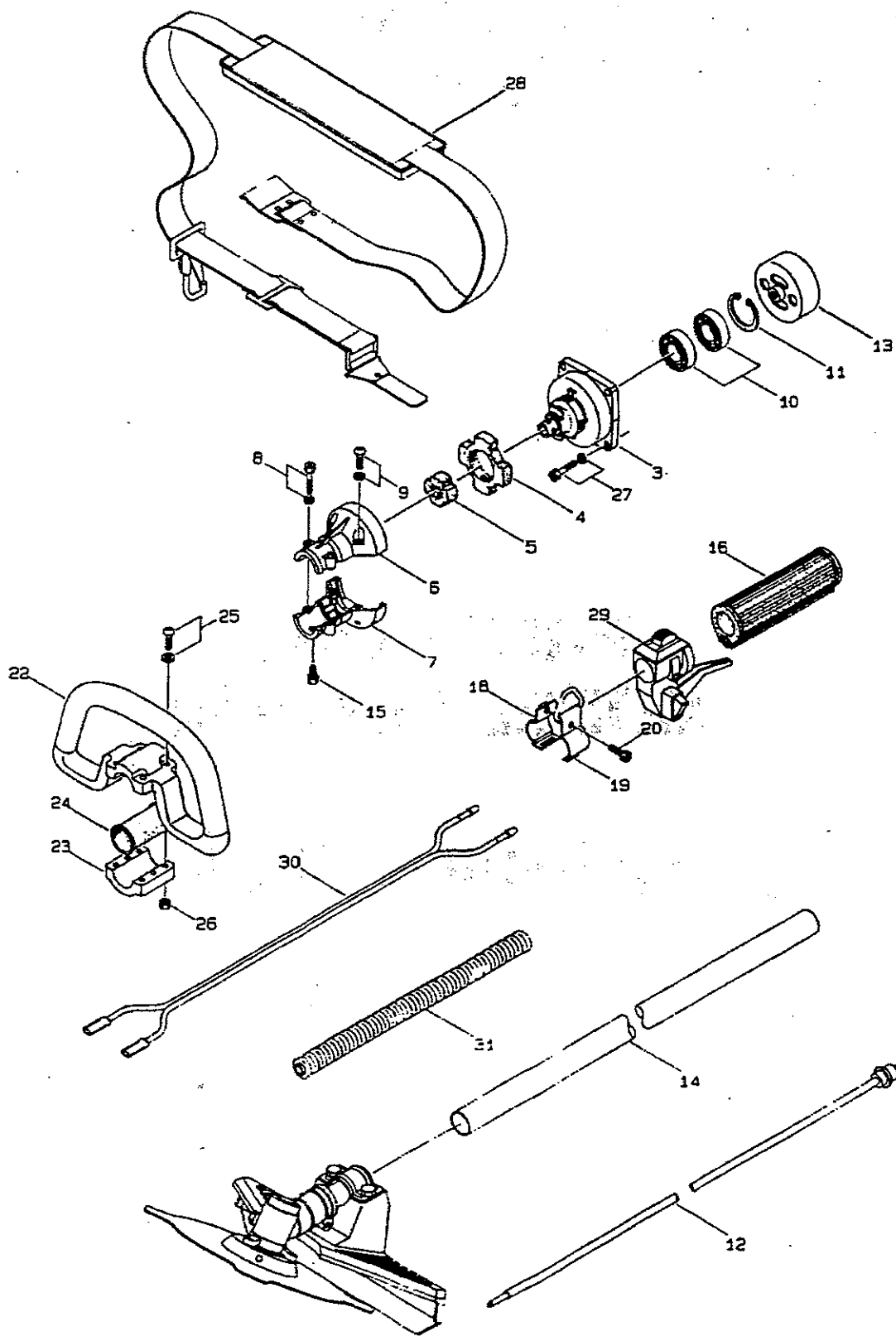
**PARTS LIST
MODEL BCM 212**

October 1, 1988

PARTS LIST

MODEL BCM212

1. MAIN BODY



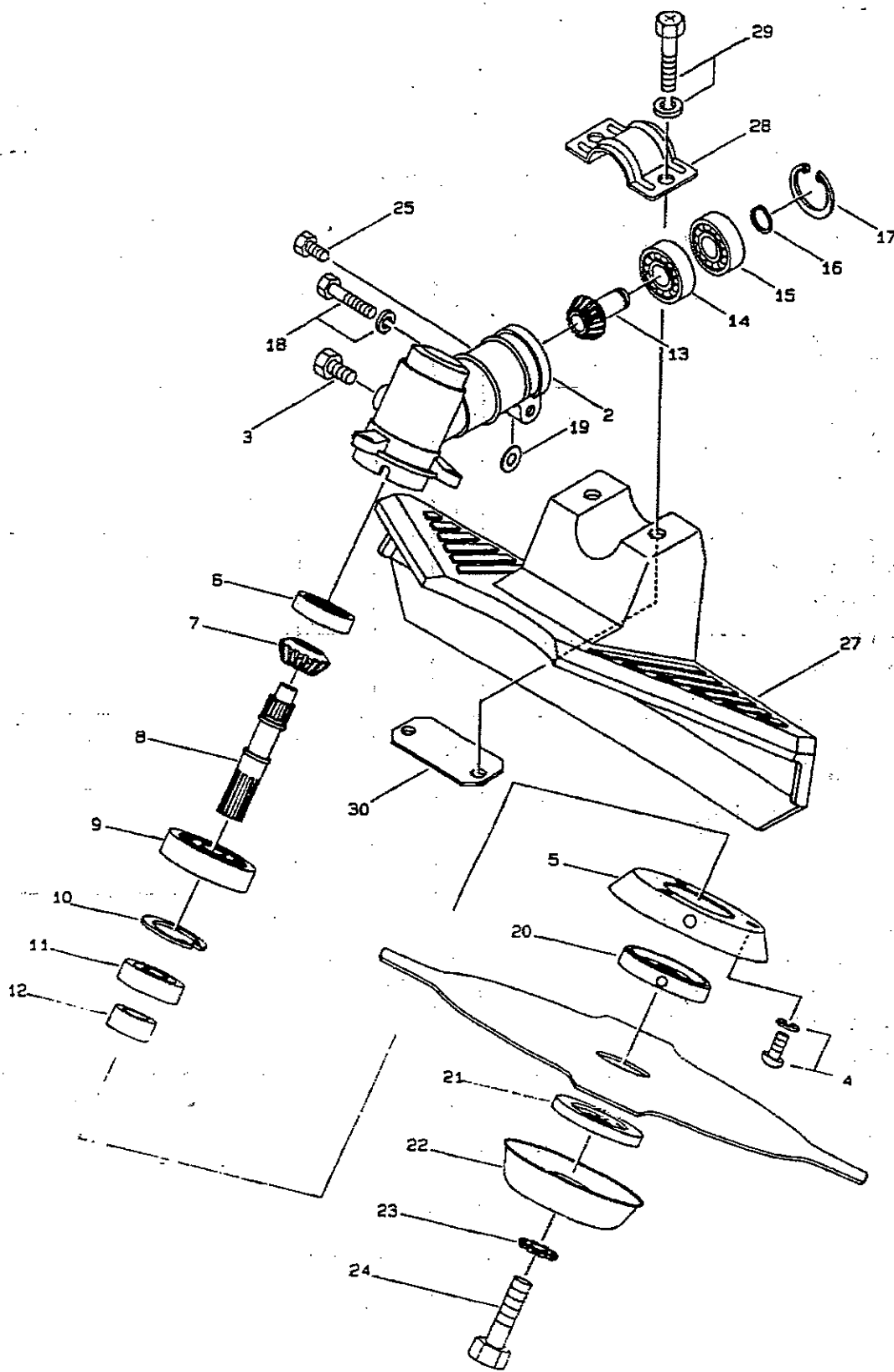
MARUYAMA U.S.,INC.

Ref.No.	Parts No.	Parts Name	Q'ty	Ref.No.	Parts No.	Parts Name	Q'ty
1-1	345162	BCM212	1				
1-2	210532	Clutch case, ass'y	1				
1-3	210533	• Bearing case	1				
1-4	210534	• Buffer (A)	1				
1-5	210535	• Buffer (B)	1				
1-6	210536	• Outer transmission pipe bracket (A)	1				
1-7	210537	• Outer transmission pipe bracket (B)	1				
1-8	092561	• Bolt (M5×25)	2				
1-9	092082	• Screw (M5×20)	2				
1-10	054675	• Bearing (#6000UU)	2				
1-11	054676	• Snap ring (#26)	1				
1-12	211463	Inner transmission shaft, ass'y	1				
1-13	211465	Clutch drum	1				
1-14	212399	Outer transmission pipe	1				
1-15	089771	Bolt (M5×8.5-7T)	1				
1-16	054976	Knob	1				
1-17	054691	Hanging bracket, ass'y	1				
1-18	054692	• Hanging bracket (A)	1				
1-19	054695	• Hanging bracket (B)	1				
1-20	089738	• Bolt (M5×15)	1				
1-21	214224	Loop handle	1				
1-22	214225	• Loop handle	1				
1-23	214226	• Handle bracket	1				
1-24	213171	• Packing	1				
1-25	092087	• Screw (M5×28)	4				
1-26	081027	• Nut (M5×0.8)	4				
1-27	092552	Bolt (M6×20)	4				
1-28	210781	Hanging strap, ass'y	1				
1-29	212053	Throttle lever	1				
1-30	213445	Lead wire	1				
1-31	214227	Corrugate tube	1				

PARTS LIST

MODEL BCM212

2. GEAR CASE



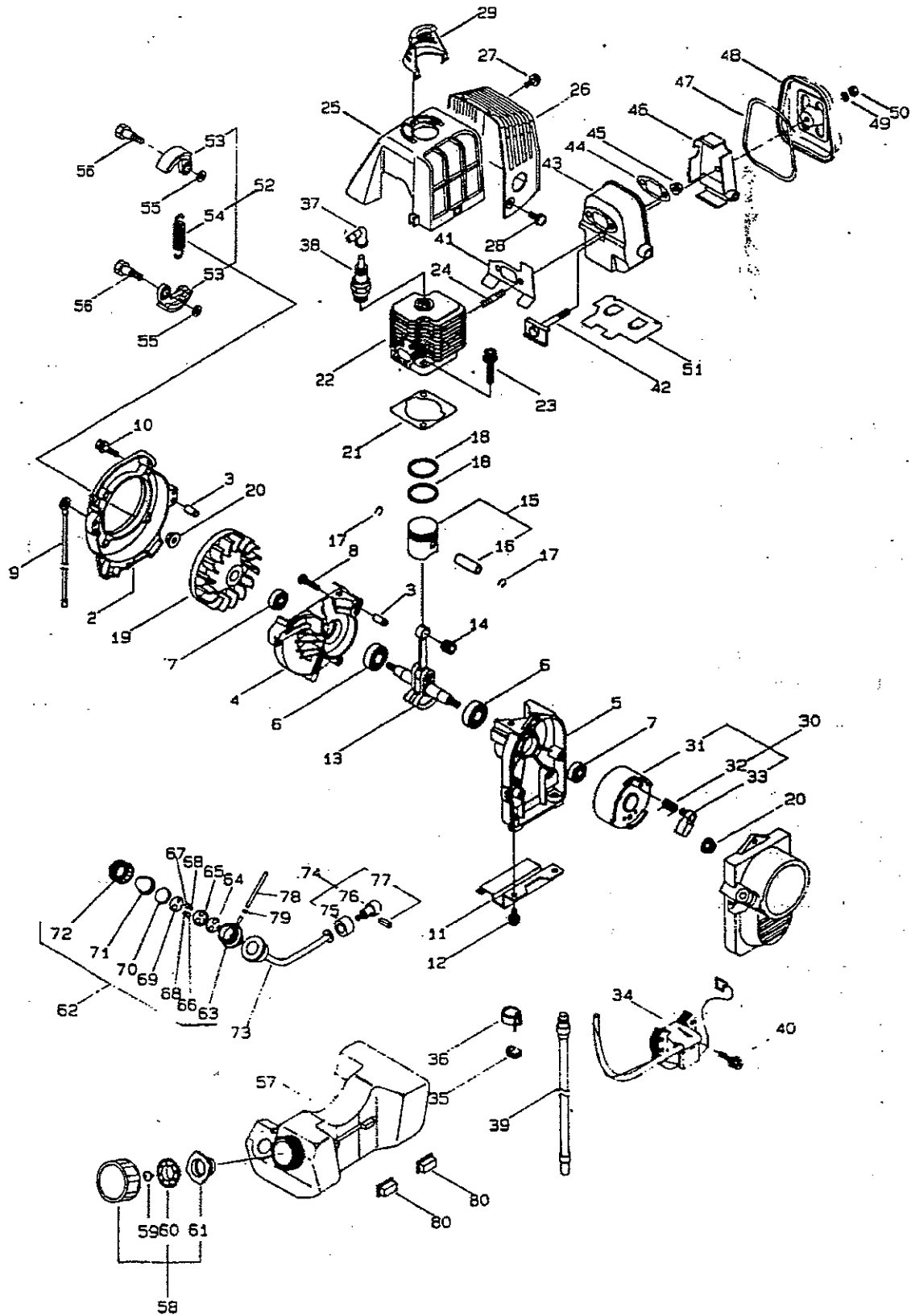
MARUYAMA U.S.,INC.

Ref.No.	Parts No.	Parts Name	Q'ty	Ref.No.	Parts No.	Parts Name	Q'ty
2-1	211468	Gear case, ass'y	1				
2-2	210552	• Gear case	1				
2-3	082092	• Bolt (M6×8)	1				
2-4	092084	• Screw (M5×8)	3				
2-5	210553	• Stabilizer	1				
2-6	210554	• Bearing (#608)	1				
2-7	210555	• Gear	1				
2-8	210556	• Blade axis	1				
2-9	019585	• Bearing (#6001)	1				
2-10	055185	• Snap ring (#28)	1				
2-11	059384	• Oil seal (D19 28 6)	1				
2-12	054736	• Collar, blade axis	1				
2-13	211470	• Pinion gear	1				
2-14	210560	• Bearing (#609)	1				
2-15	140268	• Bearing (#609Z)	1				
2-16	140269	• Snap ring (#9)	1				
2-17	140270	• Snap ring (#24)	1				
2-18	092561	• Bolt (M5×25)	1				
2-19	211177	• Packing (φ 5.5× φ 12×10.5)	1				
2-20	210557	• Boss (A)	1				
2-21	140275	• Boss (B)	1				
2-22	210558	• Stabilizer	1				
2-23	210309	• Toothed washer (B-8, Counterclockwise)	1				
2-24	089432	• Bolt (M8×18, Counterclockwise)	1				
2-25	089771	Bolt (M5×8.5-7T)	1				
2-26	210412	Safety cover, ass'y	1				
2-27	210311	• Safety cover	1				
2-28	210413	• Bracket	1				
2-29	092555	• Bolt (M6×30)	2				
2-30	210313	• Safety cover bracket	1				

PARTS LIST

MODEL DQ1V12 12

3. ENGINE (CRANK CASE, CYLINDER)



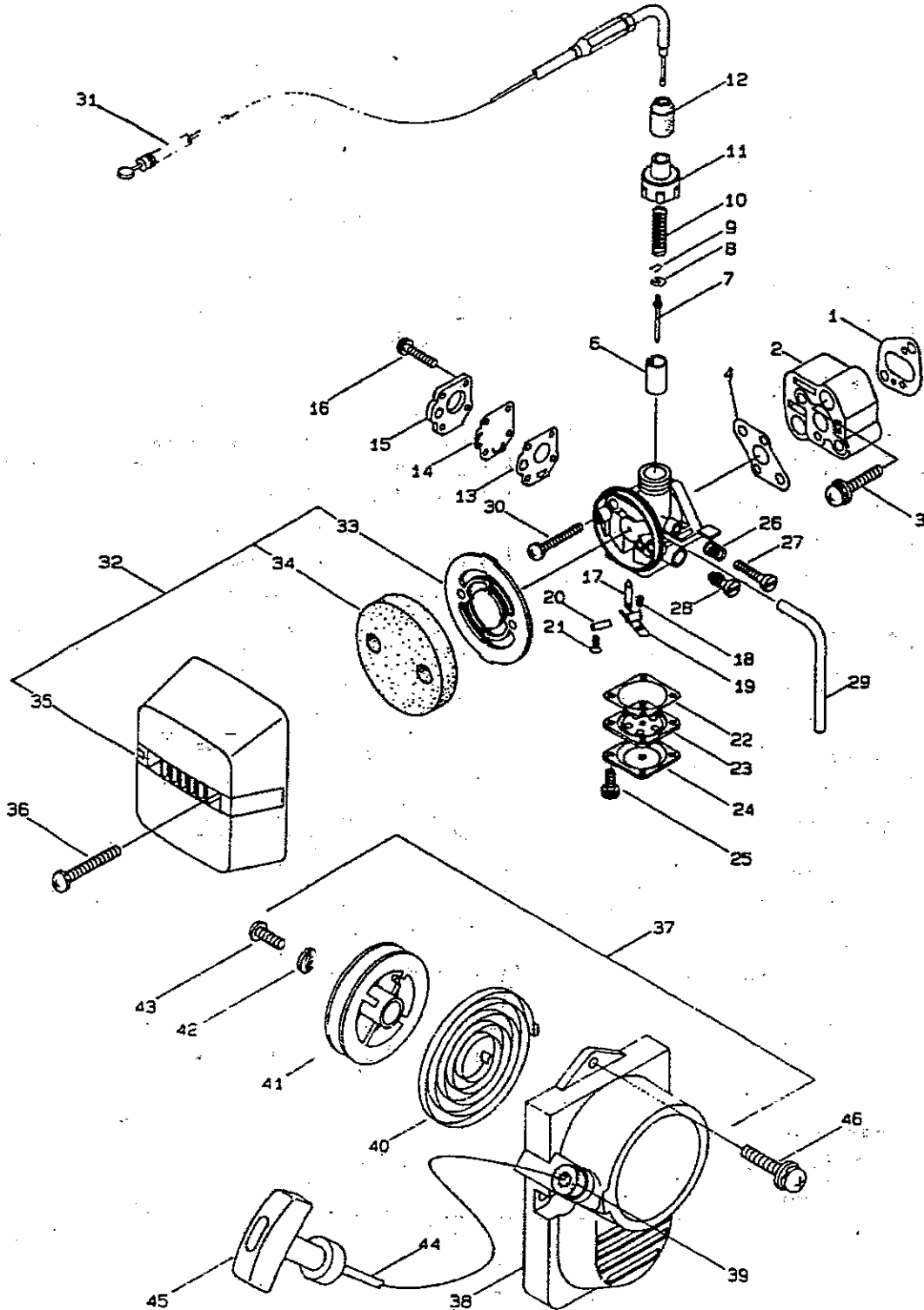
MARUYAMA U.S., INC.

Ref.No.	Parts No.	Parts Name	Q'ty	Ref.No.	Parts No.	Parts Name	Q'ty
3-1	260907	M211BDA, ass'y	1	3-41	260499	Gasket	1
3-2	260006	Fan case	1	3-42	260502	Plate bolt	1
3-3	260005	Dowel pin (5x15L)	4	3-43	260498	Muffler body	1
3-4	260003	Drive case	1	3-44	260077	Plate	1
3-5	260004	Starter case	1	3-45	990135	Nut (M5)	2
3-6	972893	Ball bearing (#6001)	2	3-46	260514	Plate	1
3-7	912612	Oil seal (TC12 22 7)	2	3-47	260081	Gasket	1
3-8	081417	Screw (M5x25)	3	3-48	260080	Muffler cover	1
3-9	260739	Lead wire	1	3-49	970631	Gasket	1
3-10	092574	Bolt (M5x25)	3	3-50	260504	Nut (M5x1.0)	1
3-11	260007	Stand	1	3-51	260087	Gasket	1
3-12	092055	Screw (M6x12)	2	3-52	912643	Clutch, ass'y	1
3-13	260018	Crankshaft, ass'y	1	3-53	972808	• Flyweight	2
3-14	972869	Needle bearing	1	3-54	260105	• Clutch spring	1
3-15	260130	Piston set	1	3-55	912642	Washer (φ 6 x φ 16 x t1.2)	2
3-16	260132	• Piston pin	1	3-56	990679	Clutch bolt	2
3-17	972823	Clip	2	3-57	260911	Fuel tank, ass'y	1
3-18	260133	Top ring	2	3-58	260463	• Fuel tank cap, ass'y	1
3-19	260026	Fan	1	3-59	977316	•• Breather valve	1
3-20	990135	Nut (M6)	2	3-60	977318	•• Holder	1
3-21	260011	Cylinder gasket	1	3-61	260309	•• Gasket	1
3-22	260125	Cylinder	1	3-62	260109	• Priming pump, ass'y	1
3-23	978836	Bolt (M6x30)	2	3-63	260110	•• Priming pump body	1
3-24	085111	Stud bolt	2	3-64	972819	•• Gasket (B)	1
3-25	260449	Cylinder cover	1	3-65	972811	•• Gasket	1
3-26	260560	Muffler cover	1	3-66	260112	•• Sponge	1
3-27	092075	Screw (M5x20)	1	3-67	972817	•• Sponge	1
3-28	092070	Screw (M5x15)	1	3-68	972813	•• Ball	2
3-29	260451	Spark plug guard	1	3-69	972812	•• Gasket	1
3-30	260031	Rotor, ass'y	1	3-70	972818	•• Gasket	1
3-31	260853	• Rotor	1	3-71	260111	•• Cap	1
3-32	260856	• Return spring	1	3-72	991908	•• Cap	1
3-33	260855	• Ratchet	1	3-73	260117	• Fuel tube	1
3-34	260438	Ignition coil	1	3-74	260113	• Fuel filter, ass'y	1
3-35	260044	Grommet	1	3-75	260115	•• Felt	1
3-36	260045	Band	1	3-76	260114	•• Weight	1
3-37	977306	Plug cap	1	3-77	260116	•• Sponge	1
3-38	910519	Spark plug (BM6A)	1	3-78	260372	Fuel tube (φ 3 x φ 5 x 73L)	1
3-39	995515	Lead wire	1	3-79	971781	Clip	1
3-40	092574	Bolt (M5x25)	2	3-80	260118	Pad	4

PARTS LIST

MODEL BCM212

4. ENGINE (CARBURETOR, RECOIL STARTER)



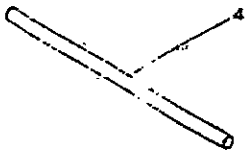
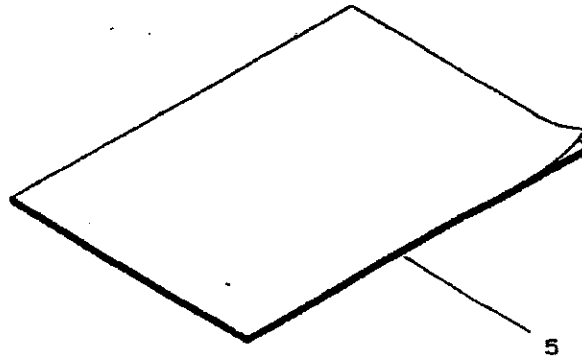
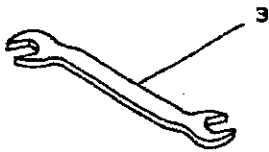
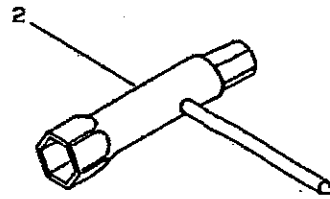
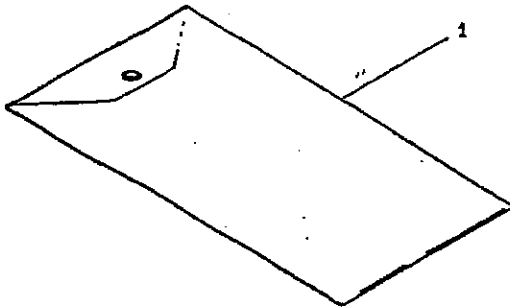
MARUYAMA U.S.,INC.

Ref.No.	Parts No.	Parts Name	Q'ty	Ref.No.	Parts No.	Parts Name	Q'ty
4-1	260061	Gasket	1	4-41	260093	• Reel	1
4-2	260062	Insulator	1	4-42	260096	• Washer	1
4-3	092075	Screw (M5×20)	2	4-43	260095	• Screw	1
4-4	260065	Gasket	1	4-44	972832	• Starter rope	1
4-5	260137	Carburetor, ass'y	1	4-45	260098	• Starter knob	1
4-6	260050	• Throttle valve	1	4-46	092075	Screw (M5×20)	3
4-7	260138	• Jet needle	1				
4-8	260048	• Retainer	1				
4-9	260059	• Clip	1				
4-10	972853	• Return spring	1				
4-11	977566	• Cap	1				
4-12	260058	• Cap	1				
4-13	972865	• Gasket	1				
4-14	260055	• Diaphragm	1				
4-15	260056	• Cover	1				
4-16	972887	• Screw (M3×12)	4				
4-17	972858	• Needle valve	1				
4-18	972859	• Spring	1				
4-19	972857	• Float arm	1				
4-20	972856	• Float pin	1				
4-21	972860	• Screw	1				
4-22	977533	• Gasket	1				
4-23	260052	• Diaphragm	1				
4-24	260053	• Cover	1				
4-25	092072	• Screw (M3×8)	4				
4-26	991097	• Spring	1				
4-27	260051	• Idle screw	1				
4-28	977567	• Jet needle	3				
4-29	971739	Fuel tube (φ 3×φ 5×150L)	1				
4-30	977534	Screw (M5×48×20)	2				
4-31	260306	Throttle wire	1				
4-32	260453	Air cleaner, ass'y	1				
4-33	991098	• Grid	1				
4-34	972844	• Cleaner element	1				
4-35	260454	• Cleaner case	1				
4-36	092071	Screw (M4×25)	2				
4-37	260562	Recoil starter, ass'y	1				
4-38	260563	• Starter case	1				
4-39	260495	• Rope guide	1				
4-40	260094	• Spring	1				

PARTS LIST

MODEL BCM212

5. ACCESSORIES



MARUYAMA U.S.,INC.



Maruyama U.S., Inc.
3570 Shelby Lane
Denton, TX 76207
940-383-7400 voice
940-383-7466 fax

www.maruyama-us.com